

PRODUCT INFORMATION PACKET

marathon[®]
Motors

Model No: 284TTTNA18577
Catalog No: S569
15,1200,TEAO,284T,3/60/575
Other Purpose



Regal and Marathon are trademarks of Regal Beloit Corporation or one of its affiliated companies.
©2018 Regal Beloit Corporation, All Rights Reserved. MC017097E

REGAL[®]



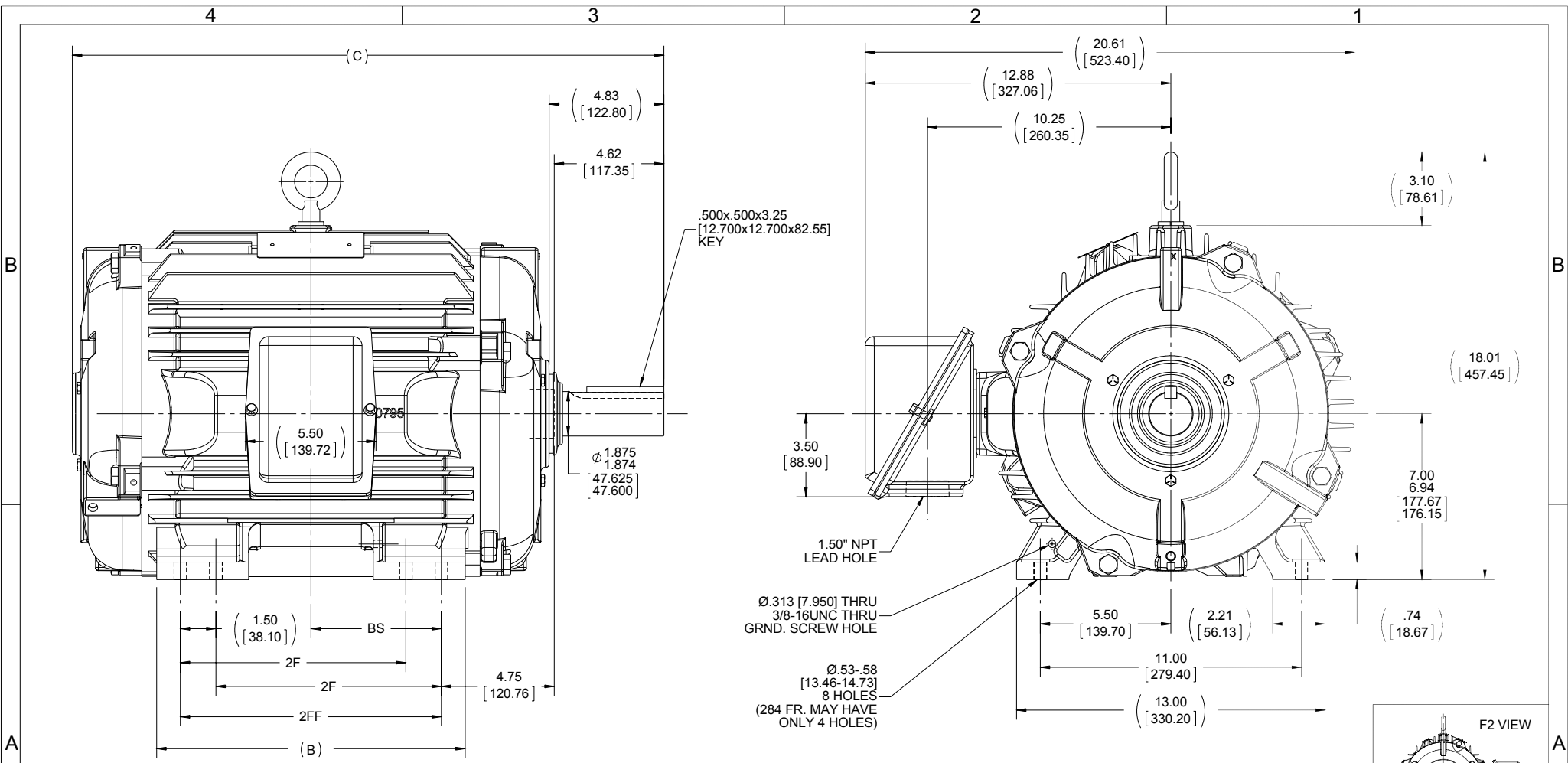
Nameplate Specifications

Output HP	15 Hp	Output KW	11.2 kW
Frequency	60 Hz	Voltage	575 V
Current	16.4 A	Speed	1175 rpm
Service Factor	1.15	Phase	3
Efficiency	91.7 %	Duty	Continuous
Insulation Class	H	Design Code	B
KVA Code	G	Frame	284T
Enclosure	Totally Enclosed Air Over	Overload Protector	No
Ambient Temperature	90 °C	Drive End Bearing Size	6311
Opp Drive End Bearing Size	6210	UL	No
CSA	Y	CE	N
IP Code	54		

Technical Specifications

Electrical Type	Squirrel Cage Inverter Rated	Starting Method	Line Or Inverter
Poles	6	Rotation	Reversible
Mounting	Rigid base	Motor Orientation	Horizontal
Drive End Bearing	Ball / Heat Stabilized	Opp Drive End Bearing	Ball / Heat Stabilized
Frame Material	Cast Iron	Shaft Type	T
Overall Length	23.42 in	Frame Length	12.75 in
Shaft Diameter	1.875 in	Shaft Extension	4.83 in
Assembly/Box Mounting	F1/F2 Capable		
Outline Drawing	B-SS311239-1275	Connection Diagram	A-EE7300T

This is an uncontrolled document once printed or downloaded and is subject to change without notice. Date Created: 07/02/2018



- NOTES:
 1. CONDUIT BOX CAN BE ROTATED IN 90° STEPS.
 2. CONDUIT BOX CAN BE MOUNTED ON OPPOSITE SIDE BY REMOVING BRACKETS AND TURNING FRAME 180°.
 3. NAMEPLATE TO BE READ FROM CONDUIT BOX SIDE OF MOTOR.

DASH	FRAME	B	C	BS	2F	2FF
1275	284T	12.50 [317.50]	23.42 [594.87]	4.75 [120.65]	---	9.50 [241.30]
1425	284/286T	13.00 [330.20]	24.92 [632.97]	5.50 [139.70]	9.50 [241.30]	11.00 [279.40]

DRAWING REVISION E	REVISION BY W. JOERGER	DATE 07-01-2015
ECO-0080734	APPROVED BY E. HEIL	DATE 07-01-2015
ECO DESCRIPTION REMOVED COVER PLATE AND SEAL FROM O.D.E.		

COPYRIGHT REGAL BELOIT AMERICA, INC. ALL RIGHTS RESERVED.
 PROPRIETARY AND CONFIDENTIAL INFORMATION - THIS DOCUMENT IS THE PROPERTY OF REGAL BELOIT AMERICA, INC. (OWNER) AND CONTAINS OWNER'S PROPRIETARY INFORMATION. ANY PERSON, CORPORATION OR OTHER FIRM RECEIVING IT IS DEEMED, BY RECEIVING IT, TO AGREE THAT IT, AND/OR ANY PART OF IT, SHALL NOT BE DISCLOSED TO ANY PERSON, CORPORATION OR OTHER ENTITY, DUPLICATED, AND/OR USED, EXCEPT AS EXPRESSLY APPROVED IN WRITING IN ADVANCE BY OWNER. THIS DOCUMENT SHALL BE RETURNED TO OWNER UPON REQUEST. IT MAY BE SUBJECT TO CERTAIN RESTRICTIONS UNDER APPLICABLE EXPORT CONTROL LAWS AND REGULATIONS.

TOLERANCES UNLESS OTHERWISE SPECIFIED:		
DEC.	INCH	mm
.X	±0.1	[±2.5]
.XX	±0.03	[±0.76]
.XXX	±0.005	[±0.127]
.XXXX	±0.0005	[±0.0127]
REMOVE BURRS & BREAK SHARP EDGES: .003/.015 [0.076/381]		
CORNER FILLETS: .02 [51]		
MACHINED SURFACES: 200 INCH 5.1 mm SHOWN IN [BRACKETS]		

DRAWN BY NJS
DATE 10-03-2001
APPROVED BY BW
DATE 10-05-2001
REFERENCE
THIRD ANGLE PROJECTION

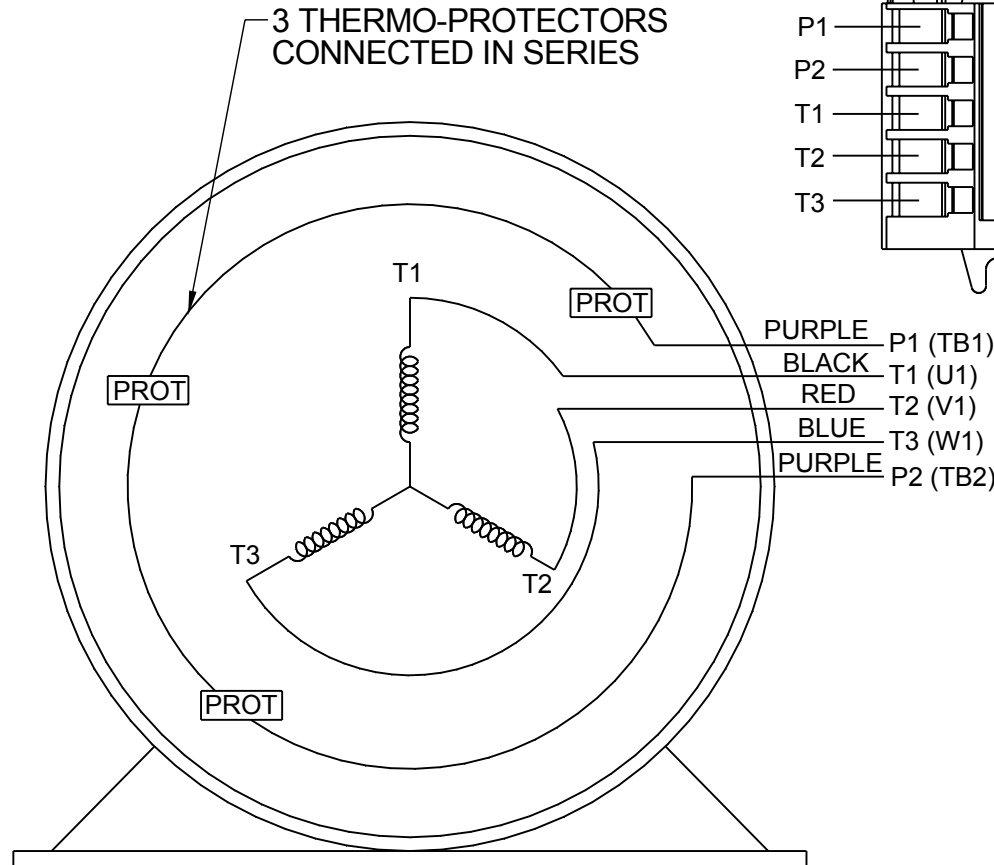
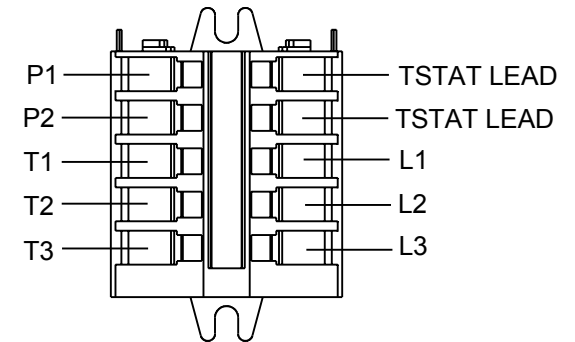
Regal Beloit America, Inc.	
DESCRIPTION OUTLINE 280T FR. - TEAO / TENV - BB - STD - 12.50" LAM	
MATERIAL	PROCESS/FINISH
SIZE B	DRAWING NUMBER SS311239
	SHEET 1 OF 1

**THREE PHASE - SINGLE VOLTAGE
MOTOR - CONDUIT BOX @ 'A'**

**TO REVERSE ROTATION:
INTERCHANGE ANY TWO LINE
LEAD CONNECTIONS**

**NOTE FOR FACTORY USE ONLY:
TO SURGE TEST:
FOR 3 LEAD COMMON CONNECT:
CONNECT P1 TO T1 THEN P2 TO L1
FOR 6 LEAD COMMON CONNECT:
CONNECT P1 TO BOTH T1
THEN P2 TO L1**

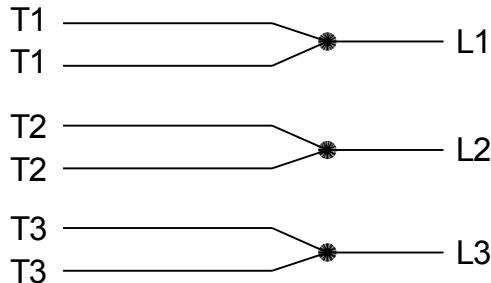
TERMINAL BLOCK WHEN SPECIFIED



PURPLE P1 (TB1)
BLACK T1 (U1)
RED T2 (V1)
BLUE T3 (W1)
PURPLE P2 (TB2)

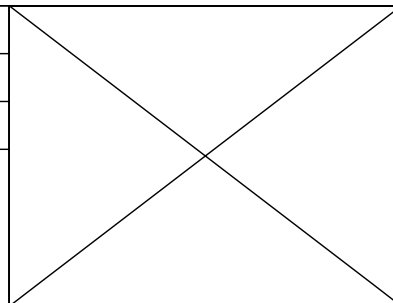
T2BM
T6AW
T6AL
T6Z
T4EG
T4BF
T8A
T6H
T6A
T4AX
T4A
T2A
T2F

**IF MOTOR HAS MULTIPLE
T'S PER LEAD CONNECT
TOGETHER LIKE T'S**



A-9806 DECAL

DRAWING REVISION AB	REVISION BY AJW	DATE 07-17-2015
ECO ECO-0081632	APPROVED BY T.VUE	DATE 07-17-2015
ECO DESCRIPTION REV'D IEC MARKINGS PER IEC-60034-8		
<small>COPYRIGHT REGAL BELOIT AMERICA, INC. ALL RIGHTS RESERVED. PROPRIETARY AND CONFIDENTIAL INFORMATION - THIS DOCUMENT IS THE PROPERTY OF REGAL BELOIT AMERICA, INC. ("OWNER") AND CONTAINS OWNER'S PROPRIETARY INFORMATION. ANY PERSON, CORPORATION OR OTHER FIRM RECEIVING IT IS DEEMED, BY RECEIVING IT, TO AGREE THAT IT, AND/OR ANY PART OF IT, SHALL NOT BE DISCLOSED TO ANY PERSON, CORPORATION OR OTHER ENTITY, DUPLICATED, AND/OR USED, EXCEPT AS EXPRESSLY APPROVED IN WRITING IN ADVANCE BY OWNER. THIS DOCUMENT SHALL BE RETURNED TO OWNER UPON REQUEST. IT MAY BE SUBJECT TO CERTAIN RESTRICTIONS UNDER APPLICABLE EXPORT CONTROL LAWS AND REGULATIONS.</small>		



DRAWN BY LZ	Regal Beloit America, Inc.	
DATE 01-04-1994		
APPROVED BY GK	DESCRIPTION CONN DIAGRAM-EXTERNAL 3Ø-SINGLE VOLT-MOTOR WITH PROTECTOR	
DATE 01-20-1994	MATERIAL	
REFERENCE	PROCESS/FINISH	
THIRD ANGLE PROJECTION	SIZE A	DRAWING NUMBER EE7300T
		SHEET 1 OF 1

Data Sheet

Date: 20-06-2017
 Customer: _____
 Attention: _____
 Submitted by: FAREEDA DUDEKULA



284TTTNA18577

Submittal

Data @ 575 V

Motor Load Data

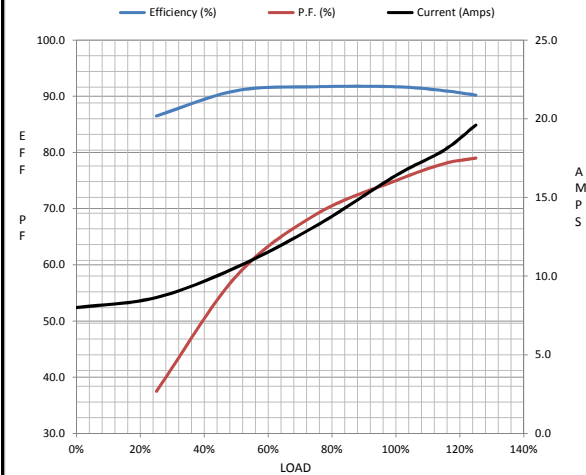
Load	0%	25%	50%	75%	100%	115%	125%	LR
Current (Amps)	8.0	8.6	10.6	13.2	16.4	18.0	19.6	92.8
Torque (ft-lb)	0.00	16.5	33.0	50.0	67.0	77.5	84.5	120
RPM	1200	1195	1188	1182	1175	1,172	1168	0
Efficiency (%)		86.5	91.0	91.7	91.7	91.0	90.2	
P.F. (%)	4.5	37.5	58.0	69.0	75.0	78.0	79.0	35.0

Motor Speed Data

	LR	Pull-Up	BD	Rated	Idle
Speed (RPM)	0	600	1075	1175	1200
Current (Amps)	92.8	84.0	56.0	16.4	8.0
Torque (ft-lb)	120	105	170	67.0	0.00

Information Block

HP	15.0			
Sync. RPM	1200			
Frame	284			
Enclosure	TEAO			
Construction	TTN			
Voltage	575 V			
Frequency	60 Hz			
Design	B			
LR Code letter	G			
Service Factor	1.15			
Temp Rise @ FL	0 ° C			
Duty	CONT			
Ambient	40 ° C			
Elevation	1,000 feet			
Rotor/Shaft wk ²	4.1 Lb-Ft ²			
Ref Wdg	284674 NONE			
Sound Pressure @ 1M	999 dBA			
VFD Rating	VARIABLE 20:1			
Outline Dwg	B-SS311239-1275			
Conn. Diag	A-EE7300T			
Additional Specifications:				
0				
365THFS8036				
EQUIV CKT (OHMS / PHASE)				
R1	R2	X1	X2	Xm
0.5580	0.4550	2.5160	2.7760	40.7240



Speed -Torque Curve

